

120 VOLTS AC, SINGLE PHASE, 60 HERTZ HOT FROM 15 AMP CIRCUIT BREAKER OR FUSE. MAIN DISCONNECT AND OVERCURRENT PROTECTION PROVIDED BY OTHERS.

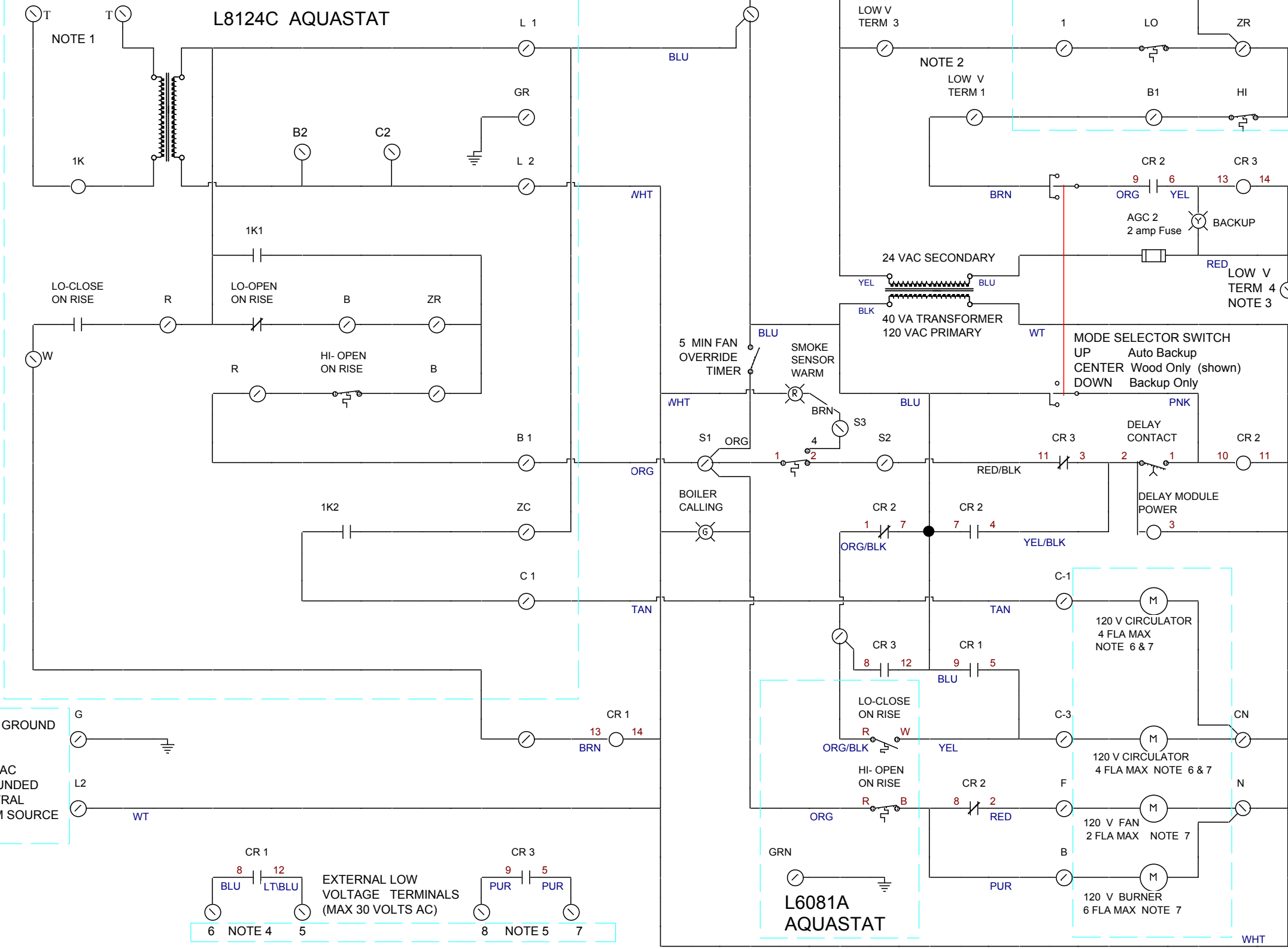
EMERGENCY CUT-OFF SWITCH

FIRE-O-MATIC CUT OUT

POWER SWITCH (SHOWN OFF/RESET)

L8124C AQUASTAT

L8151A AQUASTAT (on optional heat storage tank)



NOTE 1: SEE FIELD WIRING DIAGRAM FOR CONNECTION OF T T TERMINALS IN L8124C AQUASTAT. THESE TERMINALS MAY OR MAY NOT BE USED.

NOTE 2: IF NO HEAT STORAGE TANK IS USED, PLACE JUMPER BETWEEN LOW VOLTAGE TERMINALS 1&3. CONNECT NOTHING TO LOW VOLTAGE TERMINAL 2.

NOTE 3: MAX AUXILIARY 24 VAC POWER AVAILABLE AT LOW VOLTAGE TERMINALS 3 & 4 IS 38 VA.

NOTE 4: LOW VOLTAGE TERMINALS 5 & 6 WILL BE CONNECTED IN PARALLEL WITH THE HEAT DUMP ZONE THERMOSTAT. RELAY CR-1 CONTACT 4-6 WILL OVERRIDE THIS THERMOSTAT. THE POWER SOURCE IS THE THERMOSTAT CIRCUIT.

NOTE 5: LOW VOLTAGE TERMINALS 7 AND 8 WILL BE CONNECTED TO THE LOW VOLTAGE T T TERMINALS ON THE BACKUP BURNER. THE POWER SOURCE IS THIS BURNER WHICH IS CONNECTED TO TERMINALS "B" AND "N" IN THIS PANEL.

NOTE 6: REFER TO APPROPRIATE FIELD WIRING DIAGRAM FOR CONNECTION OF CIRCULATOR MOTOR(S) TO TERMINALS C-1 AND/OR C-3.

NOTE 7: THERMAL OVERLOAD PROTECTION FOR MOTORS BY OTHERS. TOTAL COMBINED MOTORS FLA (FULL LOAD AMPS) SHALL BE 11 AMPS MAXIMUM.

NOTE 8: ELECTRICIAN MUST REFER TO APPROPRIATE FIELD WIRING DIAGRAM SPECIFIC TO THE PLUMBING PLAN! THIS DIAGRAM IS SENT WITH THE BOILER OR MAY BE REQUESTED FROM TARM USA, INC.

NOTE 9: WIRING EXTERNAL TO THE PANEL SHOWN IN "DASH" BOXES. THE L8124C AND THE L6081A AQUASTATS ARE PRE-WIRED TO THE PANEL. ALL OTHER ITEMS IN DASH BOXES ARE BY OTHERS.

NOTE 10: IN PANEL, LINE VOLTAGE WIRES ARE 14 GAUGE AND LOW VOLTAGE WIRES ARE 18 GAUGE. (120 VOLT INDICATORS ARE WIRED WITH 18 GAUGE)

TARM USA Inc.
 Lyme, NH 03768 Ph. (603) 795-2214
WIRING SCHEMATIC for
CONTROLS for EXCEL BOILER
 DATE: 6-26-08 FILE NAME: TarmExcel08

L8151A LO Set 150 degrees F. Temperature setting at which oil or gas burner starts again after heat storage tank has been heated up to "HI" setting on L8151A and then cooled down.

HI Set 160 degrees F. Heat Storage Tank Operating Temperature when being heated by oil or gas burner when the boiler is in either the "BACKUP ONLY" or the "AUTO BACKUP" operating mode

Honeywell Aquastat Settings
 The L8124C and the L6081A are located on the boiler. The L8151A is located on the optional heat storage tank. On all aquastats, the DIFF is the operating differential for the "LO" setting. DIFF shall be set to 10 degrees F.

L8124C LO Set 210 degrees F. Boiler overhear circuit control. Starts circulator C-3 and overrides room thermostat for "dump zone" to dissipate excess heat.
HI Set 180 degrees F. Boiler operating temperature for all modes.

L6081A LO Set 165 degrees F. Temperature setting at which circulator C-3 starts operating for systems with heat storage tank.
HI Set 200 degrees F. Backup high temperature limit for all modes.

TARM USA Inc.

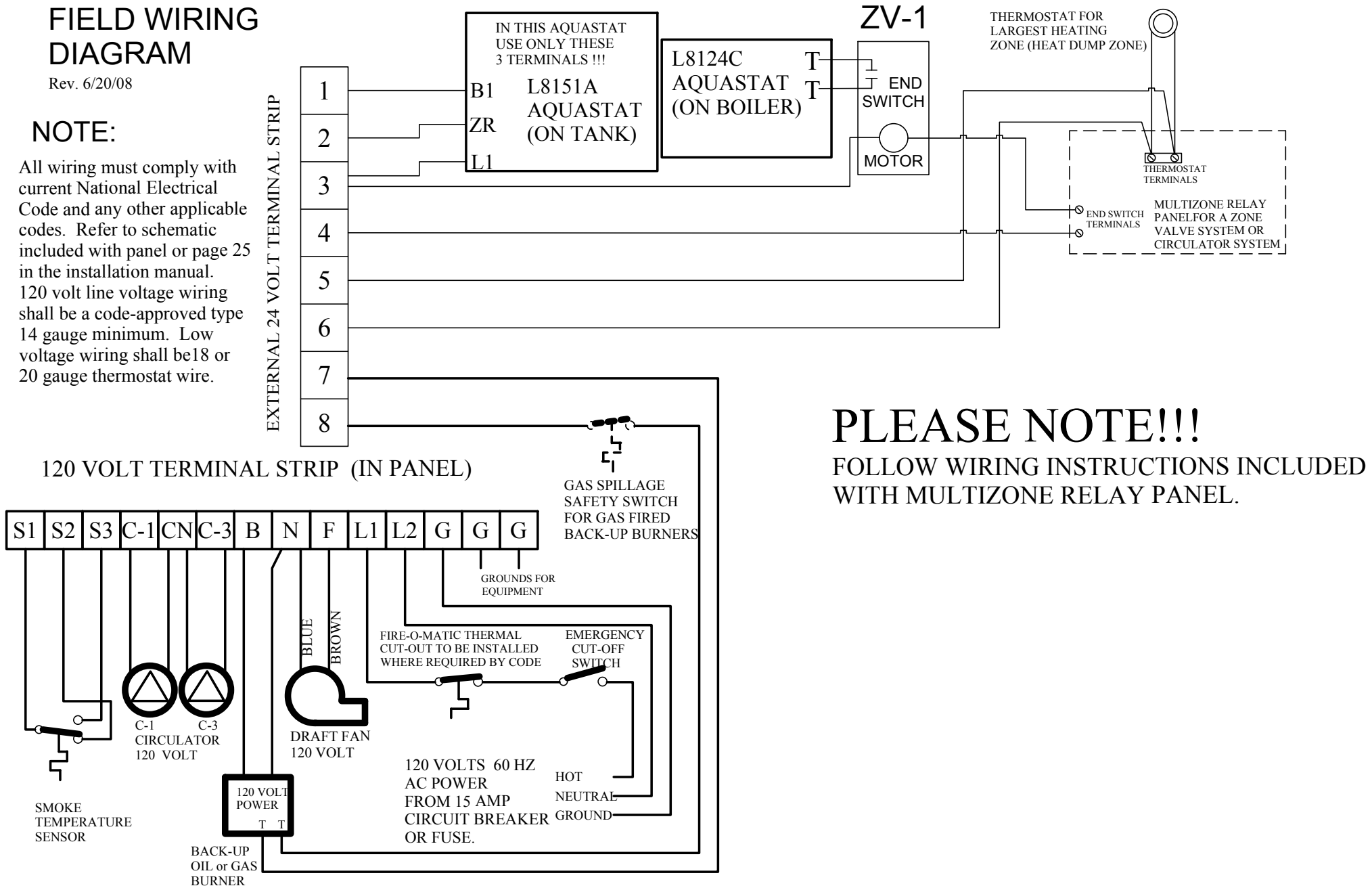
FIELD WIRING DIAGRAM

Rev. 6/20/08

NOTE:

All wiring must comply with current National Electrical Code and any other applicable codes. Refer to schematic included with panel or page 25 in the installation manual. 120 volt line voltage wiring shall be a code-approved type 14 gauge minimum. Low voltage wiring shall be 18 or 20 gauge thermostat wire.

For TARM EXCEL boiler control panel when heat storage tank is being used.



PLEASE NOTE!!!
 FOLLOW WIRING INSTRUCTIONS INCLUDED WITH MULTIZONE RELAY PANEL.

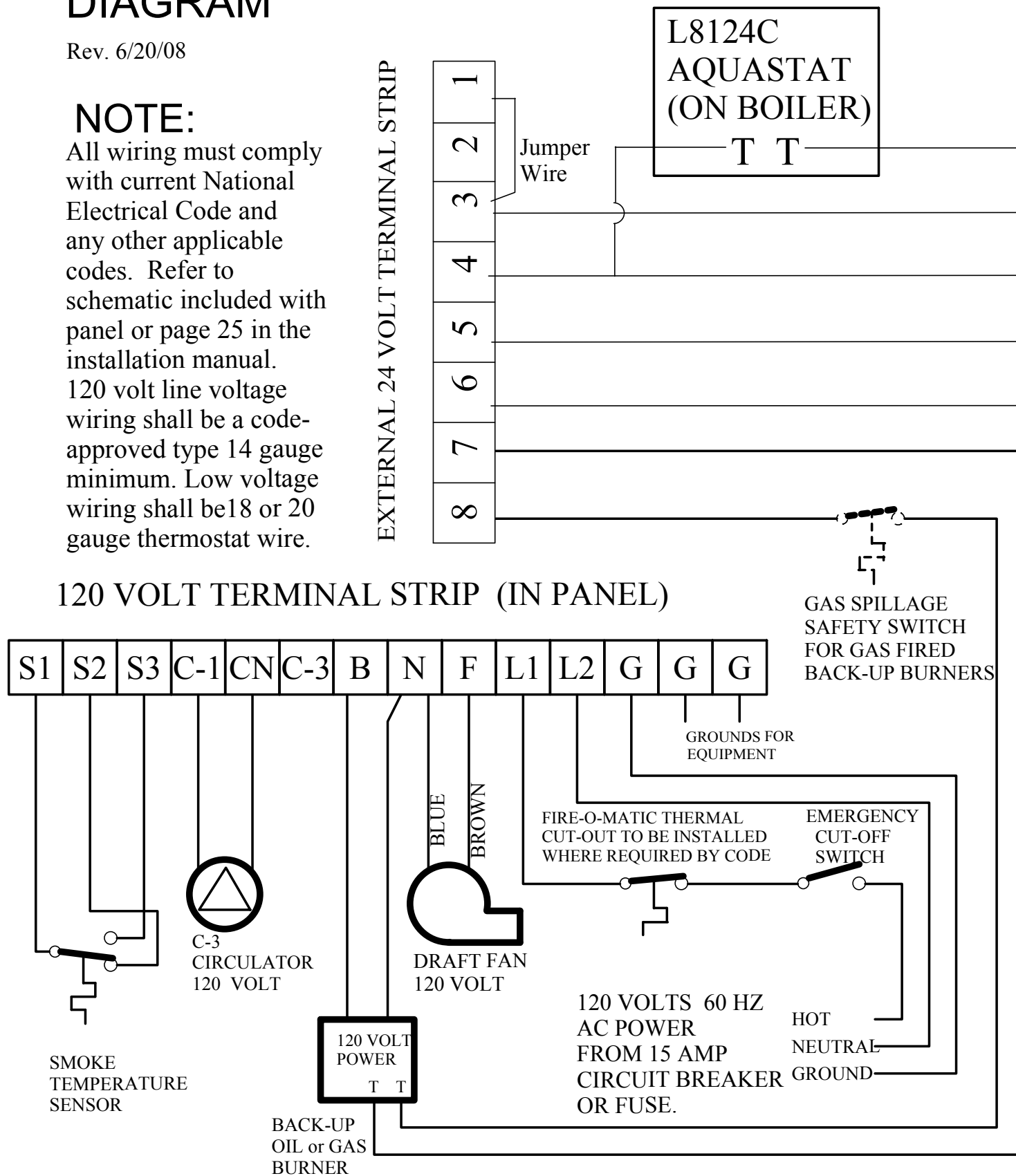
TARM USA Inc.

FIELD WIRING DIAGRAM

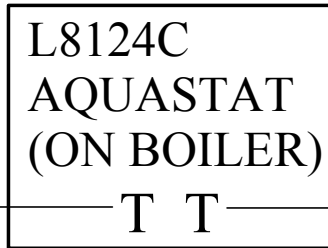
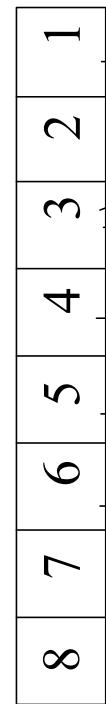
Rev. 6/20/08

NOTE:
All wiring must comply with current National Electrical Code and any other applicable codes. Refer to schematic included with panel or page 25 in the installation manual. 120 volt line voltage wiring shall be a code-approved type 14 gauge minimum. Low voltage wiring shall be 18 or 20 gauge thermostat wire.

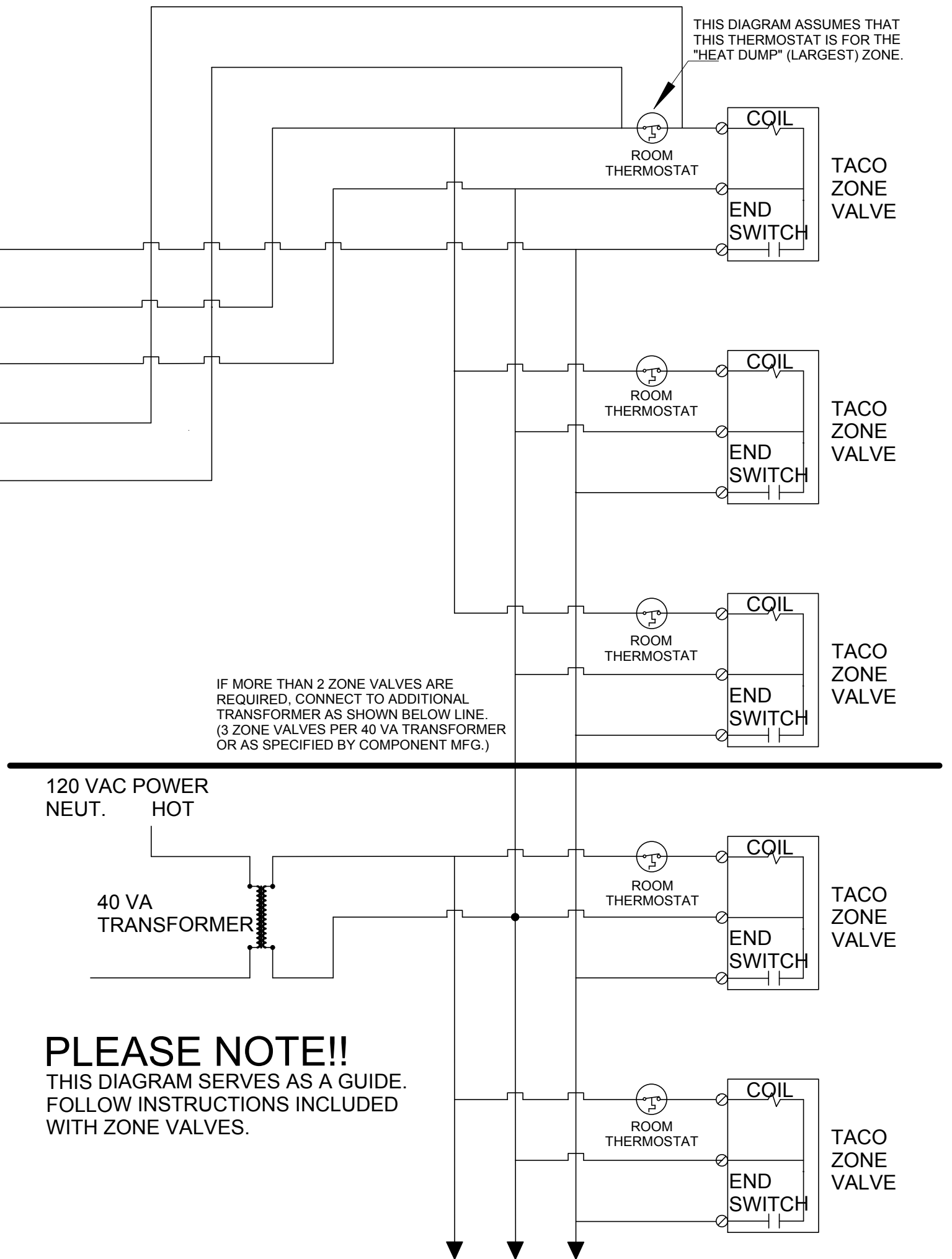
for TARM EXCEL boiler control panel
- with zone valve controlled heating zones
- with NO heat storage tank



EXTERNAL 24 VOLT TERMINAL STRIP



Jumper Wire



PLEASE NOTE!!
THIS DIAGRAM SERVES AS A GUIDE. FOLLOW INSTRUCTIONS INCLUDED WITH ZONE VALVES.